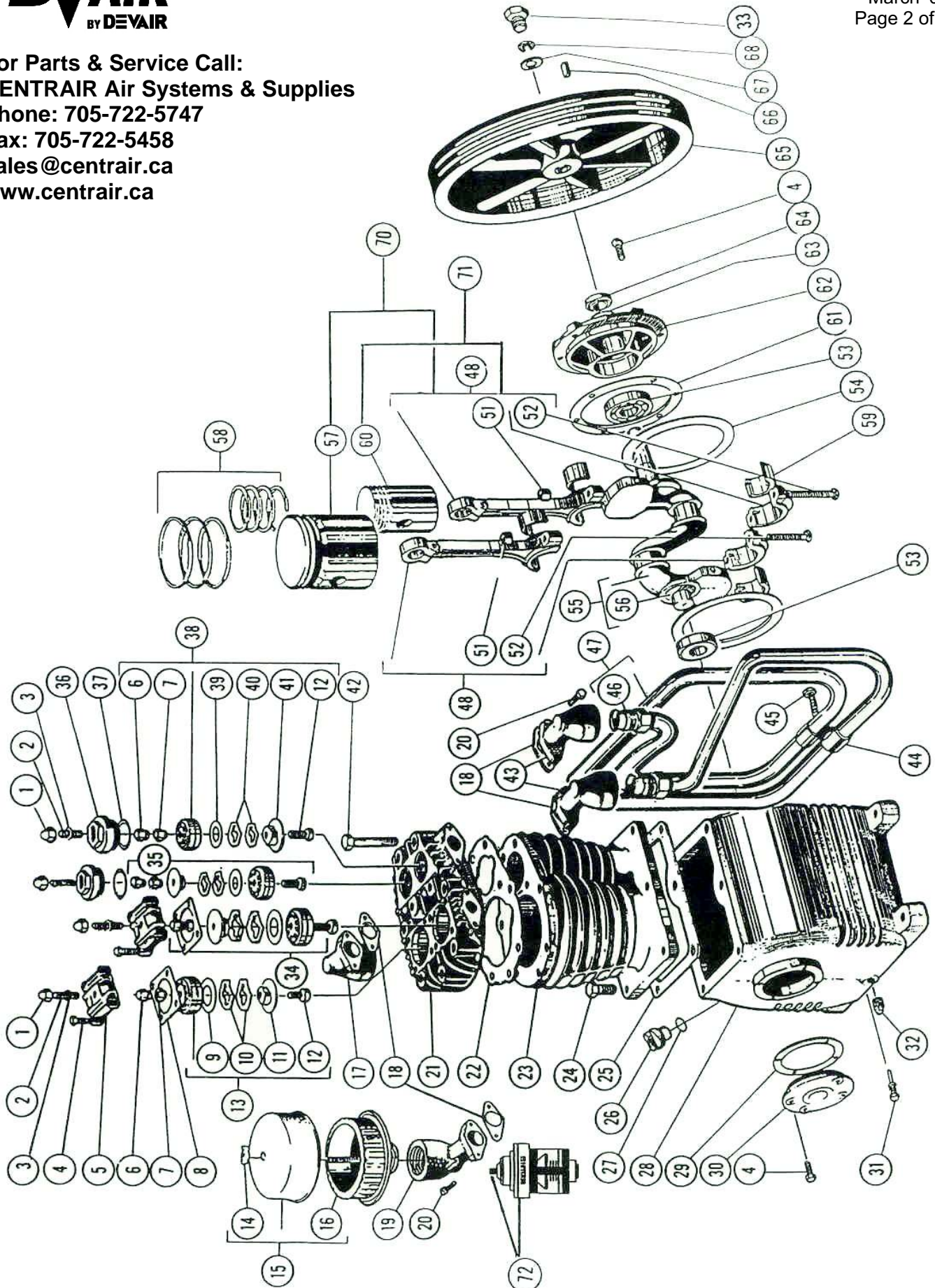




# 44643 Series Compressor Pump

Service Bulletin SB 44643  
March '02  
Page 2 of 5

For Parts & Service Call:  
**CENTRAIR Air Systems & Supplies**  
Phone: 705-722-5747  
Fax: 705-722-5458  
sales@centrair.ca  
www.centrair.ca





**For Parts & Service Call:**  
**CENTRAIR Air Systems & Supplies**  
**Phone: 705-722-5747**  
**Fax: 705-722-5458**  
**sales@centrair.ca**  
**www.centrair.ca**

Service Bulletin SB 44643  
 March '02  
 Page 3 of 5

The Item Numbers in the Chart(s) below refer to the Pump Breakdown on Page 2.

Item:	Part Number	Qty	Description
1	SS-7424-ZN	4	3/8-16 x 7/16" Cap Nut
2	SS-6045	4	3/8-16 x 1-1/2" Set Screw
3	SS-01767	3	Gasket
4	SS-14	18	5/16-18 x 1" HHCS
5	445-88	2	Valve Cap
6	445-361A	3	Cap Nut
7	445-360A	3	Jam Nut
8	445-128	2	Gasket
9	235-25	2	LP Valve Disc
10	445-36	4	LP Valve Spring
11	445-29-1	2	LP Valve Guide
12	SS-10135	2	5/16-24 x 1" SHCS
13	445-417-1	1	LP Intake Valve Assembly
14	SS-2037	1	1/4-20 Wing Nut
15	357-9401	1	Air Intake Filter Assembly
16	357-9701	1	Air Intake Filter Element
17	41143-001	1	Exhaust Elbow
18	445-196	4	Gasket
19	37534-104	1	Intake Elbow (NLA)
20	SS-25	8	3/8-16 x 1" HHCS
21	445-24	1	Cylinder Head
22	445-26	1	Head Gasket
23	445-325	1	Cylinder
24	SS-48	6	1/2-13 x 1" HHCS
25	445-327	1	Cylinder to Crankcase Gasket
26	NCB-303-1	1	Oil Filler Plug
27	SS-2670	1	'O' Ring
28	37137-104	1	Crankcase
29	432-12	1	End Plate Gasket
30	37331-105	1	End Plate
31	225-6	2	Screw
32	SS-1229	1	3/8" Black Pipe Plug (NLA)
33	SS-6883	2	5/8-18 x 1-1/2" HHCS
34	445-405-1	1	LP Exhaust Valve Assembly
35	445-4205	1	HP Exhaust Valve Assembly
36	445-89	2	HP Valve Plug

Item:	Part Number	Qty	Description
37	225-28	2	Gasket
38	445-4217	1	HP Intake Valve Assembly
39	225-25-1	2	HP Valve Disc
40	447-236	4	HP Valve Spring
41	445-94	2	HP Valve Guide
42	SS-56	9	1/2-13 x 3" HHCS
43	41143-002	2	Intercooler Elbow
44	UAP-53	1	Intercooler Bracket
45	SS-01270	2	5/16-18 x 3" FHCS
46	34416-110	2	Nut
47	447-330	1	Intercooler Assy (See Note A)
48	445-4110-2	2	Rod & Cap Assembly
49	SS-3674	2	5/16" Shake Proof Lockwasher
50	21416-037	2	5/16-24 x 1-1/4 SHCS
51	SS-7982	4	3/8-24 Lock Nut
52	235-41	4	Bolt
53	235-23	2	Ball Bearing
54	445-5-1	2	Oil Throw Ring
55	45817-514	1	Crankshaft & Oil Cup Assy
56	235-43	2	Oil Cup
57	445-412-1	1	LP Piston & Pin Assy (Std)
58	KK-9805	1	Ring Kit (Std)
59	445-474	2	Connecting Rod Bearing (Std)
60	445-4112-1	1	HP Piston & Pin Assy (Std)
61	432-13	1	End Plate Gasket
62	37333-305	1	End Plate
63	342-160	1	Felt Washer
64	342-111	1	Oil Seal
65	432-2-1	1	Flywheel
66	SS-10482	1	3/8 x 2" Square Key
67	432-326	1	Flywheel Retaining Washer
68	SS-1508	1	5/8" Medium Lock Washer
69	SS-6883	1	5/8-18 x 1-1/2" HHCS
70	445-9402	1	LP Rod & Piston Assembly
71	445-9403	1	HP Rod & Piston Assembly
72	FM-500	1	Filter Monitor

Note A: The Existing aluminum Intercooler is no longer available. Order (1) '447-330' Intercooler, (2) '445-196' Gaskets, and (1) 'SB-247' Bracket Assembly.

### Kits Available for the '44643' Pump

Part Number	Qty	Description	Includes
45875-015	1	Complete Gasket Kit	# 3, 8, 18, 22, 25, 27, 29, 37, 61
VRK-643	1	Valve Repair Kit	# 3, 6, 7, 8, 9, 10, 12, 37, 39, 40
OK-643	1	Overhaul Kit	# 58, 59, 64 and (1) '45875-015', (1) 'VRK-643'
MK-247	1	Maintenance Kit	20 Weight Oil + Filter (for 1 change)