



HDI

HEAVY DUTY PRESSURE LUBRICATED INDUSTRIAL COMPRESSORS

FROM 5HP TO 30HP

247 AND 447 2-STAGE PUMPS

Distributed by:
CENTRAIR Air Systems & Supplies
Phone: 705-722-5747
Fax: 705-722-5458
sales@centrair.ca
www.centrair.ca



PISTON COMPRESSORS
BUILT BETTER

- › EXTREMELY RELIABLE
- › HIGHEST PERFORMANCE
- › EASY AND ECONOMICAL TO MAINTAIN
- PROPRIETARY PRESSURE LUBRICATION
- MINIMAL OIL CARRYOVER
- VERY LOW RPM



100+ YEARS OF ENGINEERING & MANUFACTURING EXCELLENCE



HDI

HEAVY DUTY INDUSTRIAL COMPRESSORS

FROM 5HP TO 30HP

247 AND 447 2-STAGE PUMPS

Distributed by: CENTRAIR Air Systems & Supplies, Phone: 705-722-5747, sales@centrair.ca, www.centrair.ca



BALANCED PISTONS

Heat treated and stress relieved connecting rods are cast from ductile iron for strength and long life. High pressure pistons are made from solid cast iron to withstand extreme forces while the low pressure pistons are made from aluminum alloy. The tin-plated compression rings are designed to work in concert with the oil control rings and scraper.

BABBITT BEARINGS

Absorb hard particles and greatly reduce wear of crankshaft.

SOLID CAST IRON CYLINDERS

Solid cast iron minimizes distortion from assembly torque and heat. Precision-machined cylinder walls are honed to reduce friction and minimize oil carry over. Extra-deep fins provide increased cooling and greater strength.

BALL BEARINGS

Assuring an exceptionally free-running crankshaft, heavy load capacity ball bearings used in DV Systems outfits are lubricated from the crankcase and require no maintenance.



LOAD-FREE STARTING

Many DV Systems air compressors are equipped with a centrifugal pressure release which allows the motor to start before a pressure load is applied to the pump.

BUILT BETTER

Distributed by: CENTRAIR Air Systems & Supplies, Phone: 705-722-5747, sales@centrair.ca, www.centrair.ca

Distributed by: **CENTRAIR Air Systems & Supplies**, Phone: 705-722-5747, sales@centrair.ca, www.centrair.ca

Engineering know-how, dedication to detail, and a commitment to quality are reflected in all the components of our compressors. And once assembled, we test the unit under industrial conditions before we allow it to leave our plant. When it comes to dependability, nothing beats a DV Systems Heavy Duty Industrial Air Compressor. Oversized, overweight, and running slow, these units are built to last for decades. Manufactured in Barrie since 1954, and with each pump tested twice before leaving the factory, it is no wonder that our warranty is the longest in the business or that our customers seldom need warranty service.

QUIET, QUICK-ACTING VALVES

Machined carbon steel valves balance air passages and structural integrity, for maximum airflow and dependability. Hardened carbon steel valve guides complement the stainless steel Valve Discs and Springs. Each valve is individually tested and may be easily serviced on location without removing the cylinder heads.

COOL CYLINDER HEAD

Deep directional fins provide quick cooling; compact streamlined air passages in the cylinder head allow a fast, efficient flow of cooler intake air and rapid removal of exhaust.

BALANCED FAN-TYPE FLYWHEEL

Airfoil-type spokes provide a continuous powerful blast of cooling air for all portions of the compressors. Balanced, it assures smooth, vibrationless operation.

HIGH EFFICIENCY COOLING FINS

Reliable deep finned intercoolers provide superior cooling between the compressor stages.

SHORT STROKE DESIGN

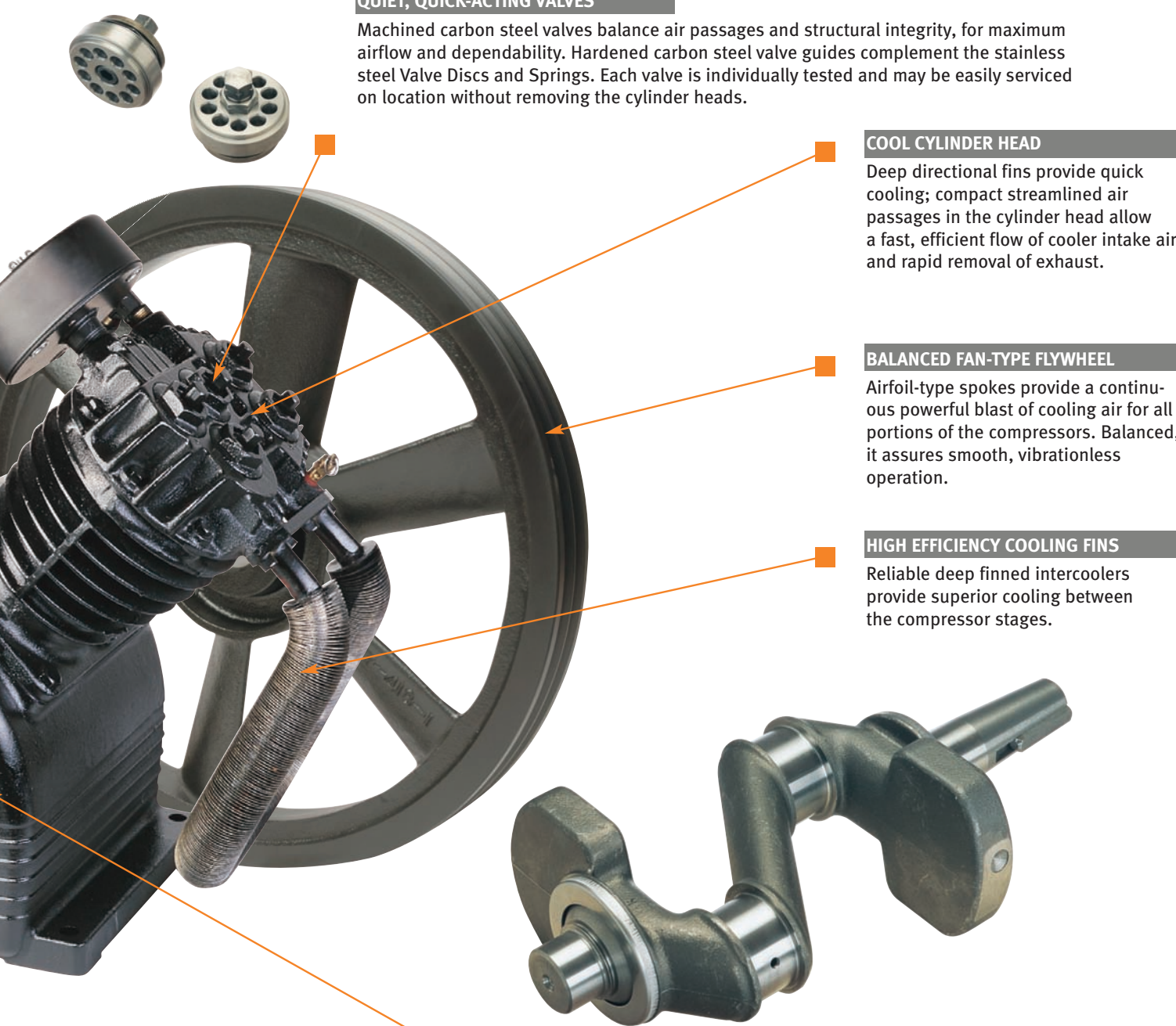
The combination of large bore, short stroke and slow operating speeds improves life expectancy and provides high air delivery.

BALANCED CRANKSHAFT

The crankshaft, with integral counter weights, is balanced to ensure longer life and smooth operation. Journals are precision ground and furnished with inserts for long trouble free life. The crankshaft is drilled and ported to allow centrifugal force to carry oil to bearing surfaces. Babbitt bearing inserts further ensure balanced operation.

Distributed by: **CENTRAIR Air Systems & Supplies**, Phone: 705-722-5747, sales@centrair.ca, www.centrair.ca

www.dvsystems.ca





HDI HEAVY DUTY INDUSTRIAL COMPRESSORS

247 2-STAGE PUMP

5HP 7.5HP 13HP

Distributed by: CENTRAIR Air Systems & Supplies, Phone: 705-722-5747, sales@centrair.ca, www.centrair.ca

There is no match for the reliability, performance and quality of the DV Systems 247 model compressor pump. Running at just 635 rpm, the 5 hp model delivers an incredible 19.1 cfm at 175psig. The 7 year warranty stands as a testament to the rugged “over design” of this product. As a 7.5 hp compressor, the 247pump is running at its peak design parameters to provide reliable high quality compressed air for commercial and industrial applications.

PLATFORMS AND OPTIONS

5 & 7.5 HP

- Single phase 230; 3 phase 200, 230,460 and 575 volt
- 80 gal vertical ASME air receiver
- 80 gal horizontal asme air receiver
- 120 gal Duplex unit
- Base mounted (no air receiver)
- Available with or without mounted and wired magnetic starter
- Duplex available with or without alternator relay and delay start timer (factory mounted and wired)
- All tank mounted units available as XL models which include factory mounted low oil shutdown control, starter and automatic tank condensate drain

13 HP GAS

- 13 hp Honda gas engine
- 30 gallon air receiver
- Standard with automatic unloader, electric starter on engine
- Optional clutch pulley available for fully loadless starting



STANDARD FEATURES

- Cast iron cylinders, heads, crankcase.
- Pressure lubrication to journal bearings
- Individually serviceable stainless steel spring and disc valves
- Steel connecting rods with serviceable babbit bearing inserts
- Precision balance oversized crankshaft (2.25 inch dia.) and premium bearings
- Totally enclosed OSHA beltguard
- High efficiency finned intercooler
- ASME approved air receivers
- Large diameter filter/silencer

PERFORMANCE SPECIFICATIONS

Model	HP	Tank	Displacement	CFM@175psig	CFM@150psig	CFM@ 100psig	Pump RPM
TAP-5052	5	80 Gal. Hor.	23.4	19.1	19.8	20.3	635
TAPV-5052	5	80 Gal. Vert.	23.4	19.1	19.8	20.3	635
TAS-5052	7.5	80 Gal. Hor.	28.9	25.8	25.9	26.2	800
TASV-5052	7.5	80 Gal. Vert.	28.9	25.8	25.9	26.2	800
TASE-5030	13 Gas	30 Gal. Hor.	28.9	25.8	25.9	26.2	800
TASE-5000	13 Gas	Base Mtd.	28.9	25.8	25.9	26.2	800

Distributed by: CENTRAIR Air Systems & Supplies, Phone: 705-722-5747, sales@centrair.ca, www.centrair.ca



HDI HEAVY DUTY INDUSTRIAL COMPRESSORS

447 2-STAGE PUMP

10HP 15HP 25HP 30HP

Distributed by: CENTRAIR Air Systems & Supplies, Phone: 705-722-5747, sales@centrair.ca, www.centrair.ca

PLATFORMS AND OPTIONS

10 & 15 HP

- 3 phase, 200/208, 230, 460 or 575 Volt.
- 120 gal asme air receiver (vertical or horizontal).
- 240 gal duplex (2 pumps, 2 motors).
- Base mounted (no air receiver).
- Available with or without mounted magnetic starter.
- Also available as XL model which includes factory mounted low oil shutdown, automatic tank drain and mag starter.
- Optional constant RUN-STOP-START controls.
- Duplex and other custom products available.

25 & 30 HP (2 X 447 PUMPS)

- 3 phase, 200,/208, 230, 460 or 575 Volt.
- 240 gal horizontal asme air receiver.
- Base mounted (no air receiver).
- Available as XL model which includes factory mounted low oil shutdown and automatic tank drain.
A mag starter is included for optional wall mounting.
- Optional constant run-stop-start controls.

DV Systems “V” - four cylinder compressors are a classic pump design proven through decades of use in applications ranging from automotive refinishing to demanding industrial production. The slow speed combined with the excellent cooling of these units creates a virtually unstoppable air compressor. High air delivery combined with simple maintenance, rugged design and efficient operation makes these compressors an exceptional value.



10 hp and 15hp - 120 gal vertical air receiver

STANDARD FEATURES

- Cast iron cylinders, heads, crankcase.
- Unique pressure lubrication system to journal bearings minimizes oil carryover and friction.
- Individually serviceable stainless steel spring and disc valves.
- Steel connecting rods with serviceable babbit bearing inserts.
- Precision balance oversized crankshaft (2.25 inch dia.) and premium bearings.
- Totally enclosed OSHA beltguard.
- High efficiency finned intercooler.
- ASME approved air receivers.
- Large diameter filter/silencer.
- Mechanical CPR for load-free motor starting.



25 hp and 30 hp - 240 gal air receiver

PERFORMANCE SPECIFICATIONS

Model	HP	Tank	Displacement	CFM@175psig	CFM@150psig	CFM@ 100psig	Pump RPM
VAT-5063	10	120 Gal. Hor.	43.3	36.5	36.8	37.3	590
VATV-5063	10	120 Gal. Vert.	43.3	36.5	36.8	37.3	590
VAV-5062	15	120 Gal. Hor.	64.8	51.8	52.1	52.9	880
VAVV-5062	15	120 Gal. Vert.	64.8	51.8	52.1	52.9	880
VAX-5081	25	240H	108.2	86.6	87.0	88.5	735
VAY-5081	30	240H	124.1	99.3	99.9	101.5	845

Distributed by: CENTRAIR Air Systems & Supplies, Phone: 705-722-5747, sales@centrair.ca, www.centrair.ca



HDI HEAVY DUTY INDUSTRIAL COMPRESSORS

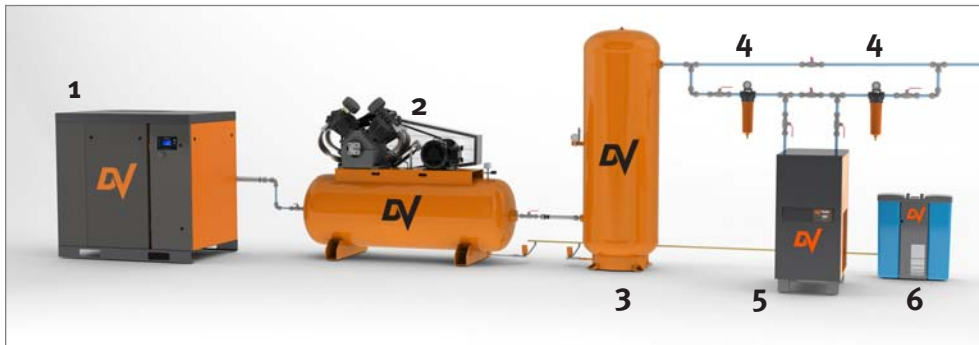
FROM 5HP TO 30HP

247 AND 447 2-STAGE PUMPS

Distributed by: CENTRAIR Air Systems & Supplies, Phone: 705-722-5747, sales@centrair.ca, www.centrair.ca

DV Systems HDI (Heavy Duty Industrial) compressors are available in single and two stage types, ranging from 1/2 hp to 30 hp. A wide range of refrigerated and high inlet temperature air dryers and filters, plus maintenance and repair parts are also available to provide you with the highest quality compressed air system.

All HDI pumps are manufactured in our North American factory to ensure smooth operation and extremely long life. Each pump is tested prior to mounting on the compressor, and again after assembly is complete.



- 1 Rotary screw compressor
- 2 Piston compressor
- 3 Air receiver
- 4 Series A filters
- 5 Compressed air dryer
- 6 Ecotron oil water separator

- > QUALITY DESIGN
- > OUTSTANDING PERFORMANCE
- > UNSURPASSED RELIABILITY



DV Systems's reputation for extreme quality, both of product and customer service is second to none, and traces its origins back to the early 1900's. This reputation has made us the choice of many of North America's leading independent distributors of air compressors and has assured the smooth operation of countless manufacturing and service operations. If a reliable source of compressed air is a critical factor in your operation, you cannot make a better investment than a DV Systems HDI compressor.

DV Systems also specializes in custom build compressors to accommodate your specialized requirements.

Distributed by: CENTRAIR Air Systems & Supplies, Phone: 705-722-5747, sales@centrair.ca, www.centrair.ca



DV SYSTEMS INC. 490 Welham Rd. Barrie Ontario L4N 8Z4
Phone: 705 728-5657 • Fax: 705 728-4974
Toll free: 1 800 668-8558 (Canada) • 1 800 552-7954 (U.S.A.)
Email: sales@dvsystems.ca • www.dvsystems.ca

©DV Systems Inc. 2009
HDI-09-09-3 Printed in Canada

As we are continually trying to improve our products, specifications are subject to change without notice.

BUILT BETTER