

## Avoid Costly Redo's

Eliminate Moisture and Dirt  
in Air Lines

### DAD-500™ DESICCANT AIR DRYER SYSTEM



#### Desiccant Air Dryer

Order No.	Description
130026	3-stage desiccant air dryer system
DAD-500	

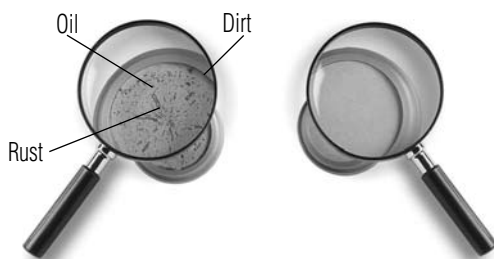
Summer 2005  
Also includes:  
1/2" ball valve

For complete  
parts breakdown  
please see  
page 59

### Compare DeVilbiss filtered air vs. unfiltered air

DeVilbiss' DAD-500 filters out contaminants to .01 microns

#### CleanAir = Better Finish



UNFILTERED AIR

FILTERED AIR

### Compare the humidity reading before and after filtering with DeVilbiss DAD-500



READING BEFORE FILTERING  
(70.2% Relative humidity)



READING AFTER FILTERING  
(.2% Relative humidity)

### ACCESSORIES

190831  
DAD-1  
Desiccant Refill



190727  
HAF-6  
Filter Element Kit



190845  
HAF-28  
Coalescing Filter Element



220052  
HA-5867  
3/8" HVLP air hose  
assy. (35')

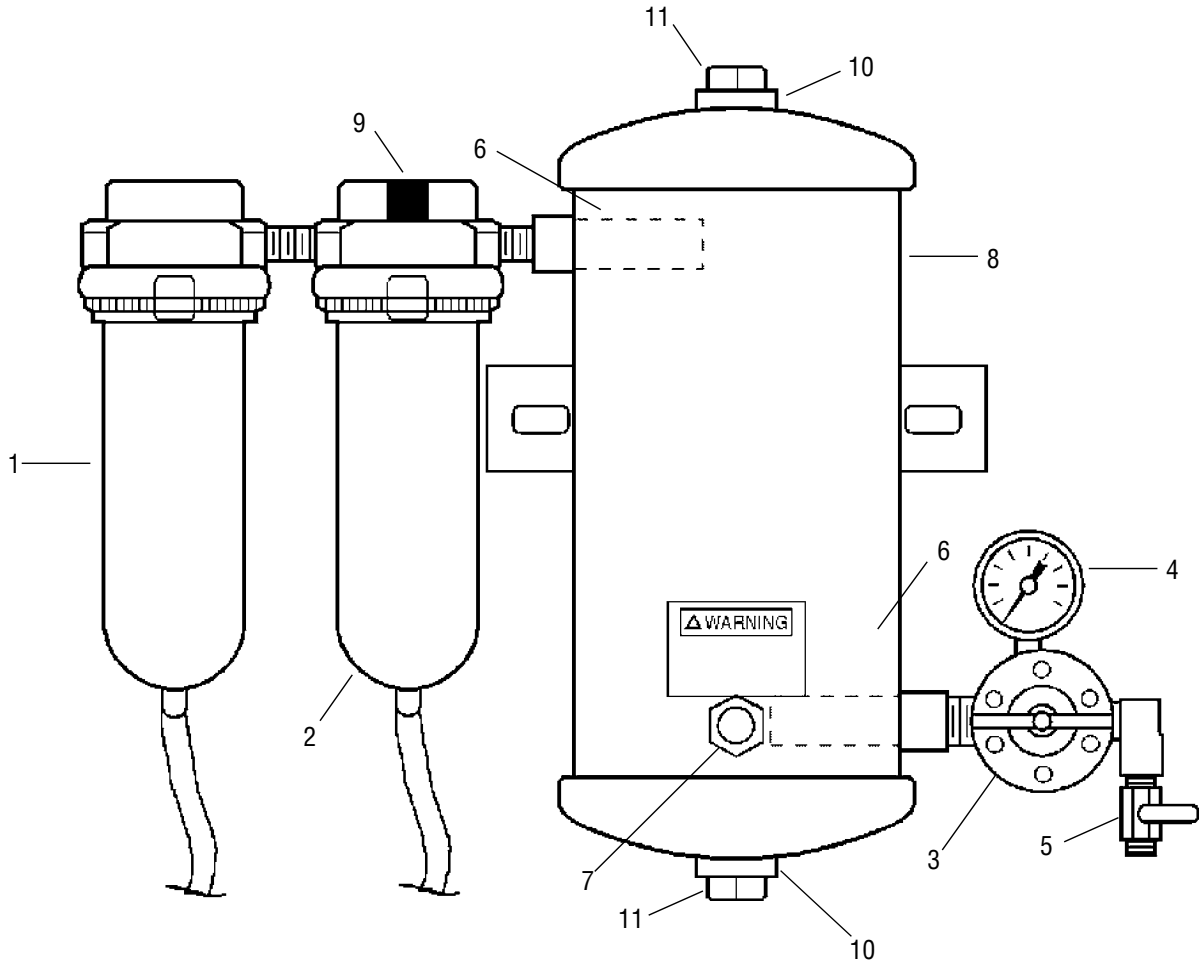


190895  
DAD-400  
Humidity indicator



Refer to Service Bulletin: SB-6-156

# Desiccant Air Dryer System 130026 (DAD-500)



Ref. No.	Order No.	Model No.	Description	Ind. Parts Required
1	130041	13-0041	Water Separator Filter	1
2	130027	HAF-505	Oil Coalescing Filter	1
3	130059	HAR-507	Air Regulator	1
4	190564	GA-288	Gauge	1
5	240039	VA-542	Ball Valve	1
6	190953	DAD-8	Air Filter (inside of tank)	2
7	190895	DAD-400	Humidity Indicator (1 Humidity Indicator—Paper Included)	1
8	190877	PT-417	Desiccant Tank (without desiccant) (includes #6)	1
9	190883	HAF-404	Filter Change Indicator	1
•	130030	DAD-600	Tune-Up Kit (see Tune-Up Kit chart)	1
+	190831	DAD-1	Desiccant Refill	1
+	190727	HAF-6	Filter (see Key Maintenance Items chart)	1
+	190845	HAF-28	Filter (see Key Maintenance Items chart)	1
10	802153	SSG-8217-K2	) Ring Kit	1
11	802154	PT-96	Pipe Plug special 1-1/2 NPT	2
12	802188	VA-595	Brass Shut Off Valve (not shown)	1

**•130030 (DAD-600) TUNE-UP KIT**  
 Consists of:

Model No.	Description	Qty.
DAD-1	Desiccant Refill	1
HAF-6	Filter Element for 13-0041	1

**+KEY MAINTENANCE ITEMS**  
 (Replace periodically for efficient performance)

Order No.	Model	Description
190831	DAD-1	Desiccant Refill
190727	HAF-6	First stage water separator filter element (5 microns)
190845	HAF-28	Second stage coalescing filter element (.01 microns)